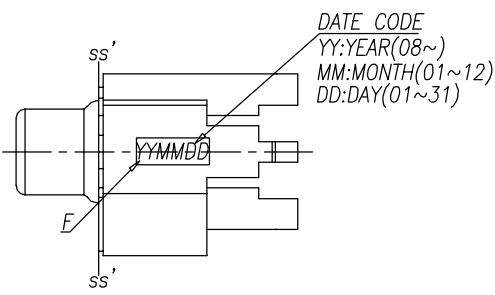
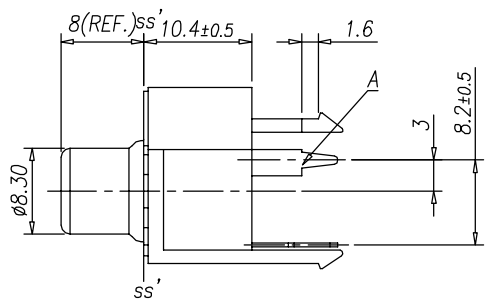
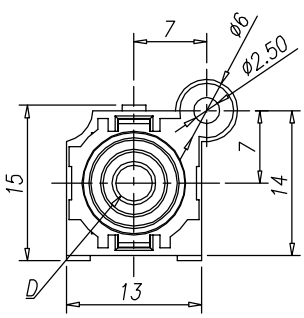
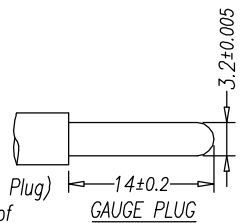


4	3	2	1
CATEGORY	DESCRIPTION	P/N #	
CONNECTOR	RCA Jack, 1*1Port, V/A, T/H, With Shielding, Top Screw Hole*1	2RJ11V-631XX-XXOC	

REV.	ECN NO	DESCRIPTION	REVISED	DATE
A2	ECN080317001	整理圖面, 修正料號: 由原2RJ11V-6317X-XX 變為2RJ11V-631XX-XXOC	Pengjie	2008.03.17



- SPECIFICATION
1. Voltage and Current Rating: 12V & 1A
 2. Contact resistance: 30mΩ MAX
 3. Insulation resistance: 100MΩ MIN @ DC500V
 4. Withstand voltage: 500VAC for 1min
 5. Insertion Force: 3Kgf MAX
 6. Extraction Force: 0.3Kgf MIN
 7. Withdraw Force for Center Contact: 0.08Kgf MIN
(Use a OD=3.2±0.005mm, Length=14±0.2mm Gauge Plug)
 8. Terminal Strength: The terminal shall be capable of withstanding a force of 3Kgf applied in any direction for 0.5 secs without losing and breakdown
 9. Life test: 1,500 cycles
 10. Temperature Range: -25°C~70°C
 11. To conform with the "QC-03-045" & "RoHS DIRECTIVE"
 12. Solder heat resistance: wave soldering 260° c 5 secs



2RJ11V-631XX-XXOC

表示該產品用替換 Washer

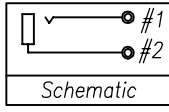
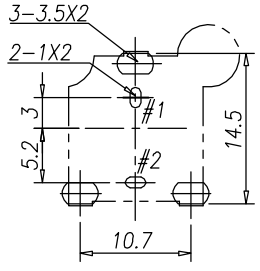
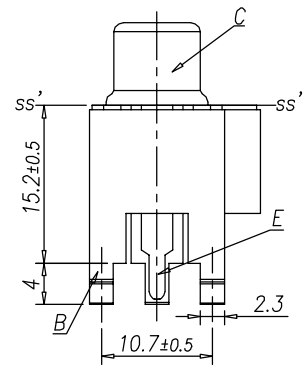
COLOR SCHEME

FINISHING PROCESS

X	Data Contact	Outer Contact	Date Code
0	Cu/Sn	Cu/Sn	NO
Z	Cu/Sn	Cu/Sn	YES

MATERIAL

X	Material
7	PBT UL94V-0
A	PBT UL94V-0(Halogen free)
P	PBT UL94V-0(Recycle material=0)



Recommend PCB Layout
(Jack Top View)
Tolerance: ±0.05mm
Recommend PCB THICKNESS: 1.6mm

COLOR SCHEME

XX	Housing	A
00	Black	Black
04	Black	Yellow

NO.	PART NAME	Q'TY	MATERIAL	PLATING & COLOR	Remark
F	Ink	1	Domino IR-270BK & MC-270BK	Black	
E	Terminal #2	1	Brass, T=0.4mm	CuSn Plating	
D	Washer	1	PBT UL94V-0	See Color Scheme	
C	Outer Contact	1	Brass, T=0.4mm	CuSn Plating	
B	Housing	1	PBT UL94V-0	See Color Scheme	
A	Terminal #1	1	Brass, T=0.5mm	CuSn Plating	

UNLESS OTHERWISE SPECIFIED TOLERANCES

DECIMALS: X :±0.5 X.X :±0.3 X.XX :±0.2

ANGLES: X :±2° X.X :±1°

Product Drawing
ALEXTRONIC Connector LTD.

SCALE: 2/1 UNIT: mm DWG. NO: WI-061-134

SIZE: A3 PAGE: 1 OF 1 REV: A2

AUTHORIZED BY	APPROVED BY	CHECKED BY	PREPARED BY
RYAN	GG	WYX	Pengjie

CUSTOMER COPY